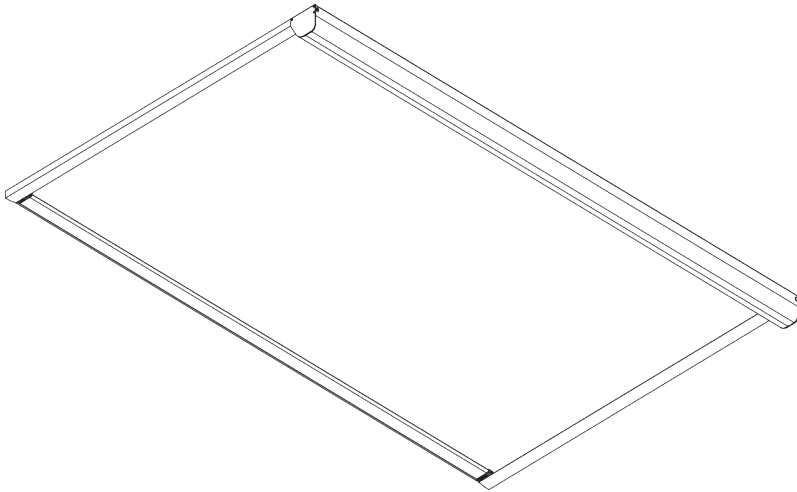


# SG 8640

---



## PRODUCT INFORMATION

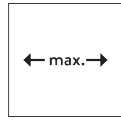
- **Operation:** motorised
- **Range:** S - L
- **Fitting:** ceiling, wall, recess
- **Colours:** white RAL 9016, special colours possible
- **Fabrics:** refer to Silent Gliss fabric collection

### **Features:**

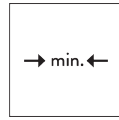
- Tensioned roller blind
- Various control options
- Any angle
- Fabric zip technology
- Dim Out with appropriate fabric selection

# SYSTEM SPECIFICATIONS

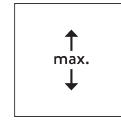
## A. SYSTEM DIMENSIONS



3 m



65 cm



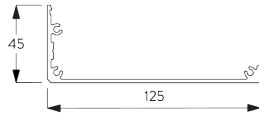
Headbox S / M: 3 m  
Headbox L: 4.5 m



Headbox S / M: 9 m<sup>2</sup>  
Headbox L:  
13 m<sup>2</sup> / 11 m<sup>2</sup>

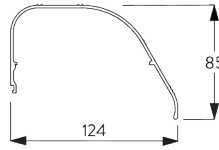
## B. PROFILE

### Profile information



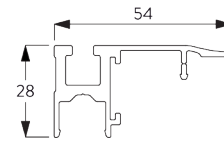
**SG 8641**

Box case S/M 105x125 mm



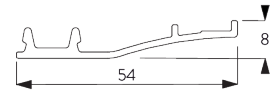
**SG 8642**

Box cover S/M 105x125 mm



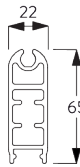
**SG 8643**

Side guide case inside fitting



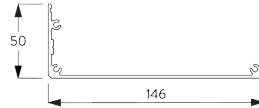
**SG 8644**

Side guide cover



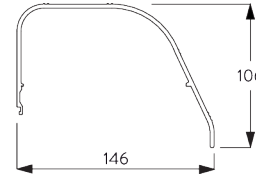
**SG 8645**

Bottom bar



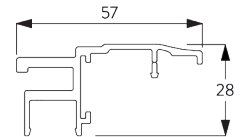
**SG 8661**

Box case L 126x146 mm



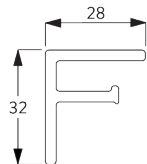
**SG 8662**

Box cover L 126x146 mm



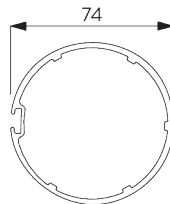
**SG 8663**

Side guide case inside fitting



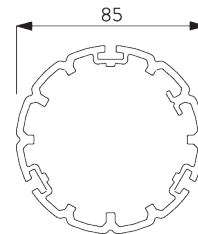
**SG 8664**

Side guide profile inside fitting



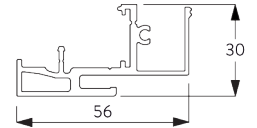
**SG 8665**

Tube  $\varnothing$  74 mm



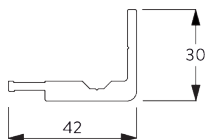
**SG 8666**

Tube L  $\varnothing$  85 mm



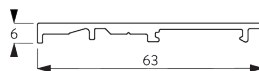
**SG 8672**

Side guide case



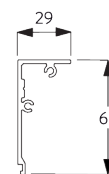
**SG 8673**

Concealed side guide profile



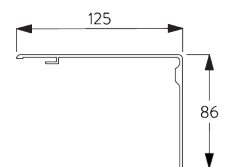
**SG 8674**

Concealed side guide cover



**SG 8677**

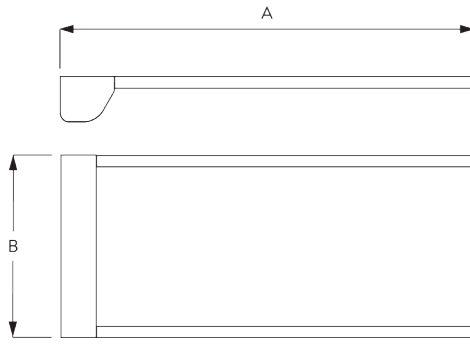
Concealed box cover 105x125 mm



**SG 8678**

Concealed box cover lid 105x125 mm

**C. HOW TO  
MEASURE**



A: System length  
B: System width

**D. SPECIFICATION  
TEXT**

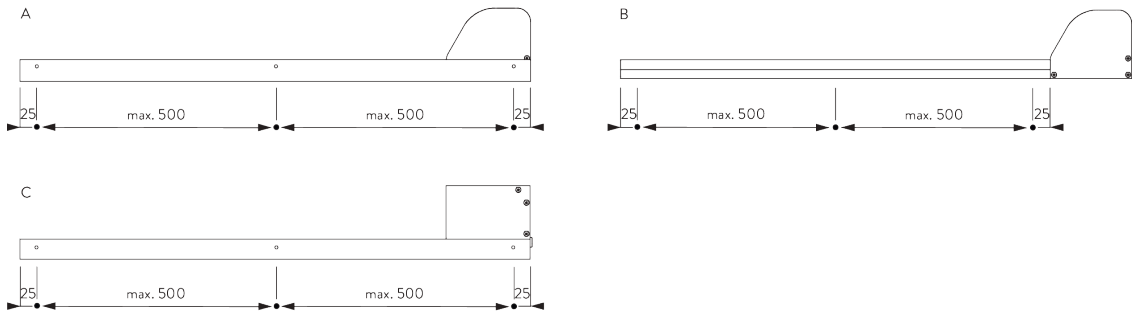
**Silent Gliss SG 8640 Electrically Operated Tensioned Dimout / Solar Screening Roller Blind System.** Supplied made to measure and complete comprising (key components) motor SG 8657 / SG 8658, zip profile SG 8659 - System S/M - box cover SG 8642, box case SG 8641, aluminium tube SG 8665 / System L - box cover SG 8662, box case SG 8661, aluminium tube SG 8666. Inside fix - side guide case SG 8663, side guide profile SG 8664. Face fix - side guide case SG 8643, side guide cover SG 8644. Concealed recess fix option with box covers SG 8677, SG 8678 side guide case SG 8672, side guide profile SG 8673 and side guide cover SG 8674. Controlled via fixed switch / third party control system subject to suitable interface by others / SG Control L / SG Control R with external receiver. All radio control components supplied at additional cost. All wiring to be strictly in accordance with Silent Gliss wiring diagrams. Fabric to be chosen from the Silent Gliss fabric range, Price Group 1 / price group 2.

**FITTING**

**A. FITTING  
INFORMATION**

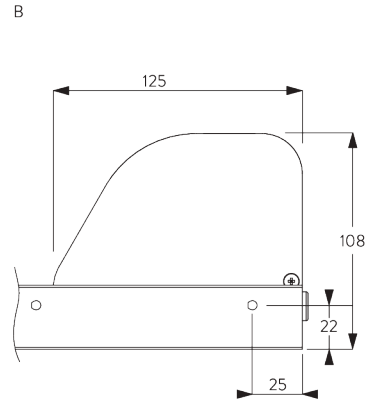
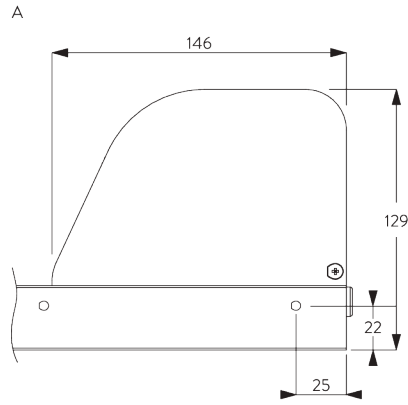
For detailed fitting information, visit the [Silent Gliss website](#).

**Fixing points**



A: Inside recess fitting  
B: Face fitting  
C: Concealed recess fitting

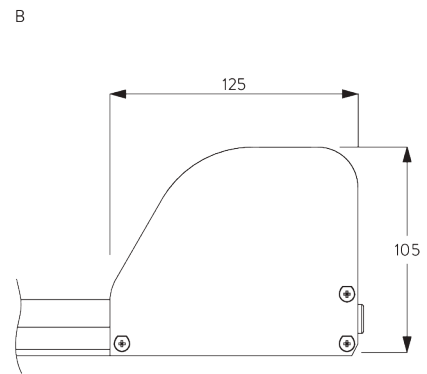
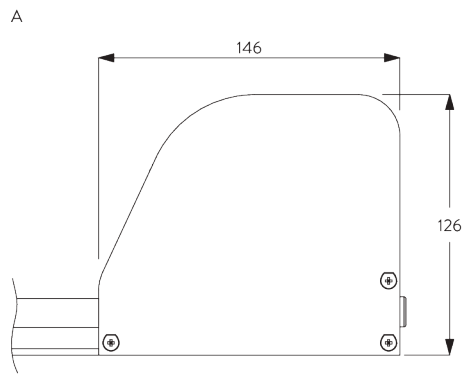
# Headbox dimensions



Inside recess fitting

A: Headbox L

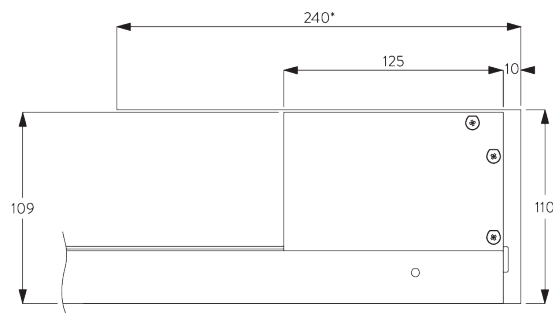
B: Headbox S / M



Face fitting

A: Headbox L

B: Headbox S / M



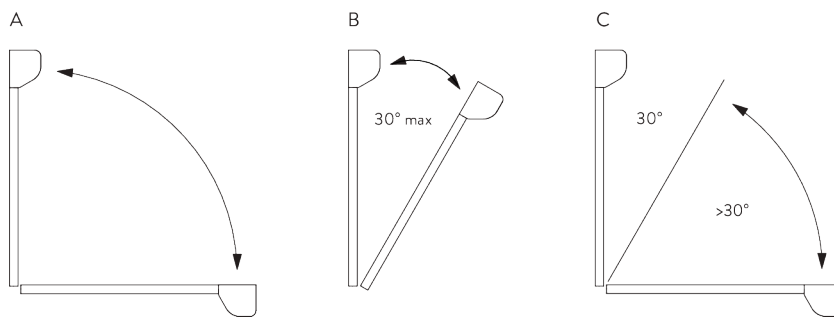
Concealed recess fitting

Concealed recess headbox

Max. Length 3.0 m

\*recess depth required to fully conceal hem bar when retracted!

## Fitting angles



**A: Headbox S / M:**

3 m wide x 3 m draw / 9 m<sup>2</sup> any angle

**B: Headbox L:**

3 m wide x 4.5 m draw /

13 m<sup>2</sup> no greater than 30° from vertical

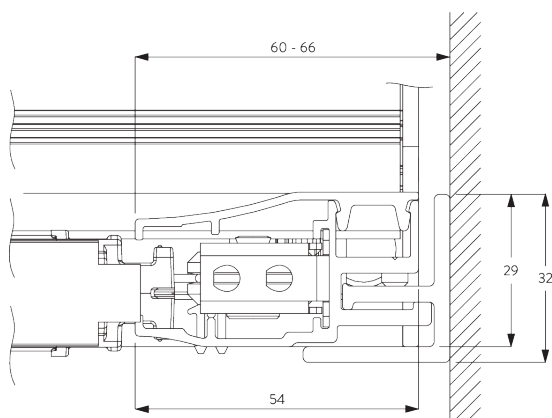
**C: Headbox L:**

Max. 2.5 m wide x 4.5 m draw /

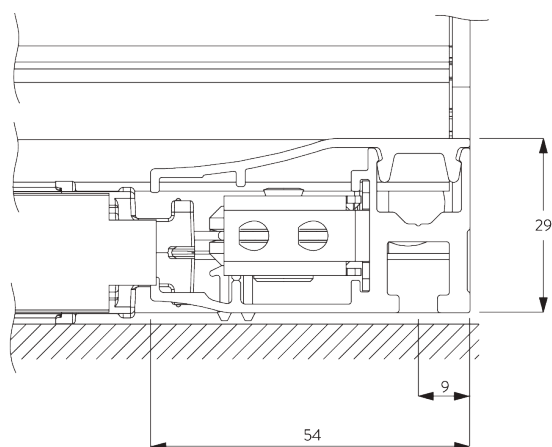
11 m<sup>2</sup> greater than 30° from vertical

Concealed recess option max. 3 m wide x 3 m draw any angle.

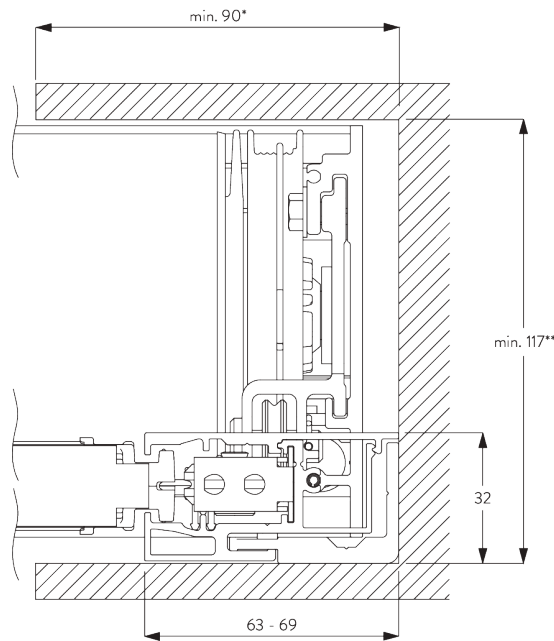
## B. INSIDE RECESS FITTING



## C. FACE FITTING



**D. CONCEALED  
RECESS FITTING**



\*recess depth required to fully conceal hem bar end caps  
\*\*min. 125 mm if head box lid is used

# MOTOR & CONTROLS

**A. MOTOR  
FEATURES**

Motor	SG 8657 / SG 8658
<b>Motor Features</b>	
Soft start / stop	●
Electronic end-stop	●
Electronic revolution counter (unlimited revolution)	●
Cable connectable with plug into motor	●
IP class	IP 30
<b>Control Features</b>	
Mains power control	●
SG Control N (external receiver required)	●
SG Control R (external receiver required)	●
Suitable for most major home automation systems (with suitable interface)	●

**B. MOTOR  
SPECIFICATIONS**

Motor	Voltage	Current	Frequency	Speed
SG 8657 / SG 8658	100-240 V AC	0.8 A	50 / 60 Hz	12 rpm

**C. OPERATING  
METHODS**

See catalogue "controls" for details.

**Wall Switch**



System can be operated by fixed wall switch.

**SG Control N**



Various radio hand-held and wall transmitters available.  
An external receiver is required.



Silent Gliss Move App.

**SG Control R**



Various radio hand-held and wall transmitters available.  
An external receiver is required.

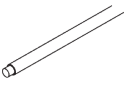


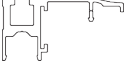




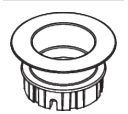
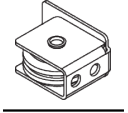


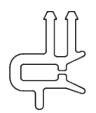

**D. WIRING  
DIAGRAMS**


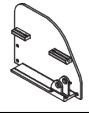
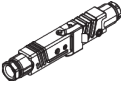


Refer to the Silent Gliss website.



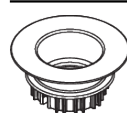


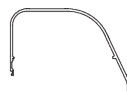

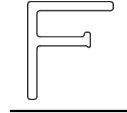

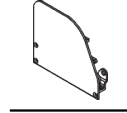
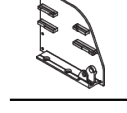

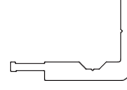

# PARTS

## A. STANDARD PARTS

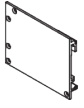
	<b>SG 8619</b> Tension wire $\varnothing$ 1.5 mm
	<b>SG 8641</b> Box case S/M 105x125 mm
	<b>SG 8642</b> Box cover S/M 105x125 mm
	<b>SG 8643</b> Side guide case inside fitting
	<b>SG 8644</b> Side guide cover
	<b>SG 8645</b> Bottom bar
	<b>SG 8646</b> Cable spool left
	<b>SG 8647</b> Cable spool right
	<b>SG 8648</b> Tube adapter
	<b>SG 8649</b> Pulley
	<b>SG 8656</b> Spring
	<b>SG 8657</b> Motor kit
	<b>SG 8659</b> Zip profile
	<b>SG 8665</b> Tube $\varnothing$ 74 mm

	<b>SG 8667</b> End cover left S/M 105x125 mm
	<b>SG 8668</b> End cover right S/M 105x125 mm
	<b>SG 9916</b> Hirschmann plug set

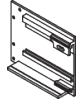
## B. OPTIONAL PARTS

	<b>SG 8651</b> Cable spool left L
	<b>SG 8652</b> Cable spool right L
	<b>SG 8653</b> Tube adapter L
	<b>SG 8658</b> Motor kit L
	<b>SG 8661</b> Box case L 126x146 mm
	<b>SG 8662</b> Box cover L 126x146 mm
	<b>SG 8663</b> Side guide case inside fitting
	<b>SG 8664</b> Side guide profile inside fitting
	<b>SG 8666</b> Tube L $\varnothing$ 85 mm
	<b>SG 8669</b> End cover left L 126x146 mm
	<b>SG 8671</b> End cover right L 126x146 mm
	<b>SG 8672</b> Side guide case
	<b>SG 8673</b> Concealed side guide profile
	<b>SG 8674</b> Concealed side guide cover



**SG 8675**

Concealed end cover left 105x125 mm

**SG 8676**

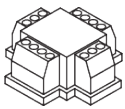
Concealed end cover right 105x125 mm

**SG 8677**

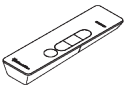
Concealed box cover 105x125 mm

**SG 8678**

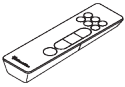
Concealed box cover lid 105x125 mm

**SG 9959**

Central control unit relay

**SG 11931**

Radio hand held 1 channel

**SG 11932**

Radio hand held 6 channel

**SG 11936**

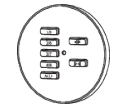
Radio wall transmitter 1 channel

**SG 11937**

Radio wall transmitter 6 channel

**SG 11938**

Radio receiver BiDi Shutter

**SG 20336**

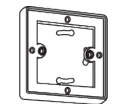
Hand held transmitter 8 channel

**SG 20913**

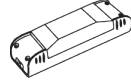
Wall switch single channel

**SG 20914**

Wall switch 8 channel

**SG 20917**

Patress box

**SG 20919**

Control module motor type R





